



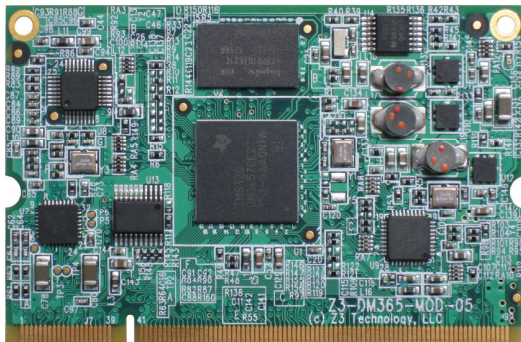
**Z<sup>3</sup>**  
Technology, LLC

# Low Power H.264 HD Module

Product Part Number Z3-DM365-MOD-05

*EXPERIENCE NEXT GENERATION TECHNOLOGY TODAY!*

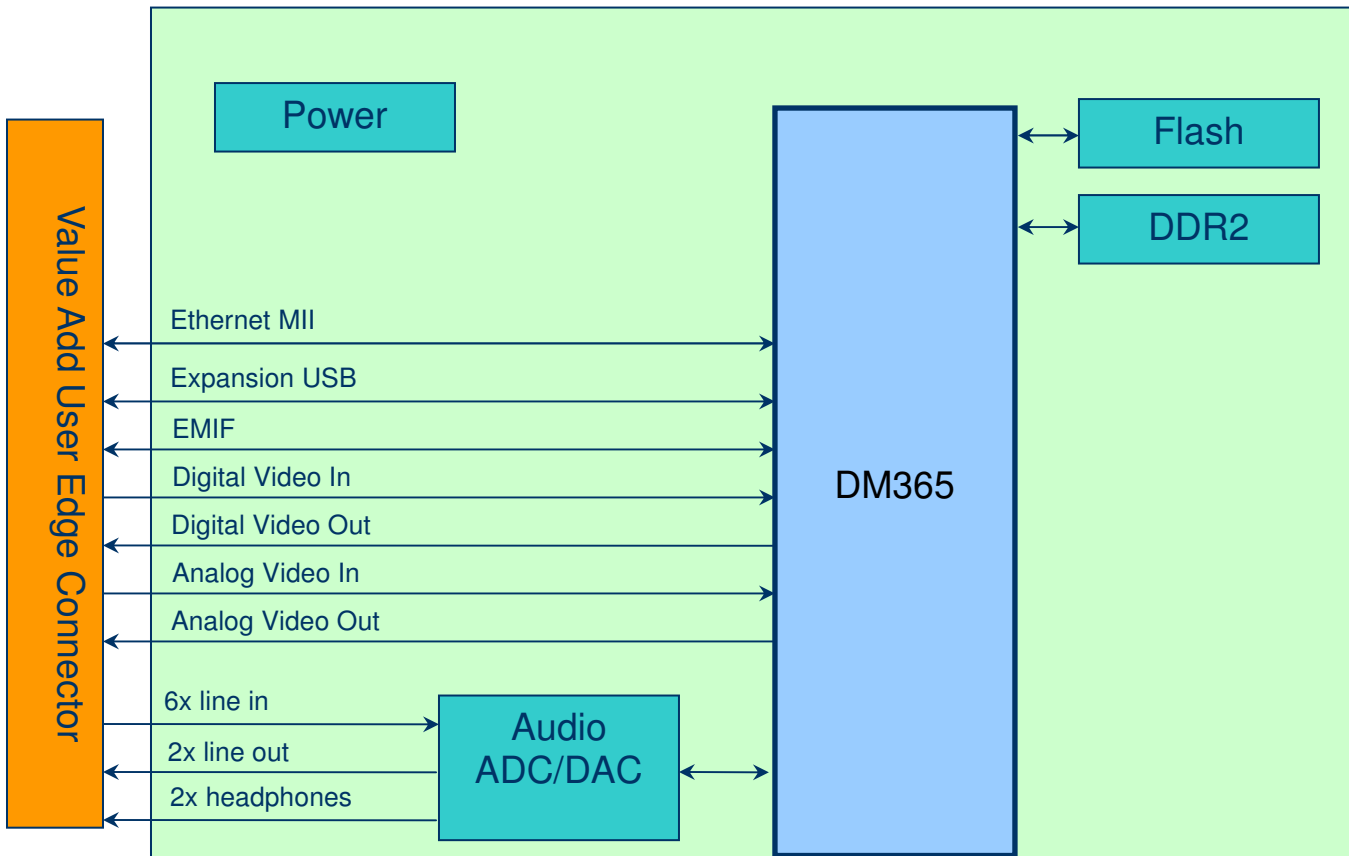
Applications
Low Bandwidth Video Security
Battery Powered A/V Recorder
Embedded Solid-State DVR
Video Frame / Digital Signage
Portable Multimedia Appliance
Industrial Applications
HD Embedded Video Sub-System



**Actual Size: 44mm x 67mm**



Contact Z<sup>3</sup> Technology for customized product options



## Features & Benefits

- Includes **DM365** low power multimedia DaVinci™ technology from Texas Instruments
- **Linux 2.6.x and GStreamer** multimedia enabled
- Self contained pocket-sized (44mm x 67mm) Multimedia Device
- 2 mounting holes
- H.264 MP 720p 30fps encode or decode
- All Analog/Digital A/V signals available via edge connector
- Flash memory options available from 32MB to 2GB
- Edge connector for connection to application board
- Linux OS, multimedia software and SDK available for application development and system integration

Contact Z<sup>3</sup> Technology for customized product options

