



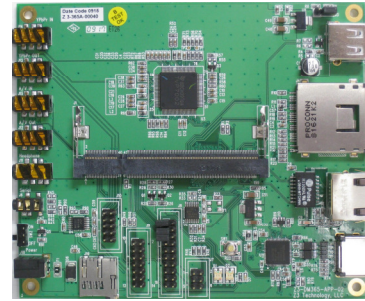
Z³
Technology, LLC

Low Power HD Solution

Product Part Number Z3-DM368-RPS

DON'T REINVENT VIDEO, Z3 SLASHES TIME TO MARKET!

Applications
Broadcast Video
Video Security and Industrial Video
Digital Signage and Video Kiosks
Internet Gaming
Networked Multimedia Appliance



Z3-DM368-RPS Rapid Product Design System Contains:

Benefits:

- *Cookie-cutter video solution for embedded applications*
- *Fully integrated hardware and software audio/video system*
- *Ready to use, out of the box commands for encoding, decoding and streaming*
- *Cost effective design, ready for manufacturing volumes*
- *Supports H.264 in all video resolutions from QCIF to 1080p30*
- *Versatile encoding modes such as low latency, high quality, low bit rate, etc*
- *Full A/V synchronization even after hours of recording*
- *Linux-based system, easy to customize if needed; full source code available*

Hardware:

- One **Z3-DM368-MOD** OEM-ready video module
- One **Z3-DM365-APP** Reference Application Board
 - Analog component and composite video I/O for DM368-MOD
 - YPbPr video capture ADC at up to 1080i30
 - HDMI 1.3 output, USB Host, Ethernet, microSD and SD Card
 - Serial port

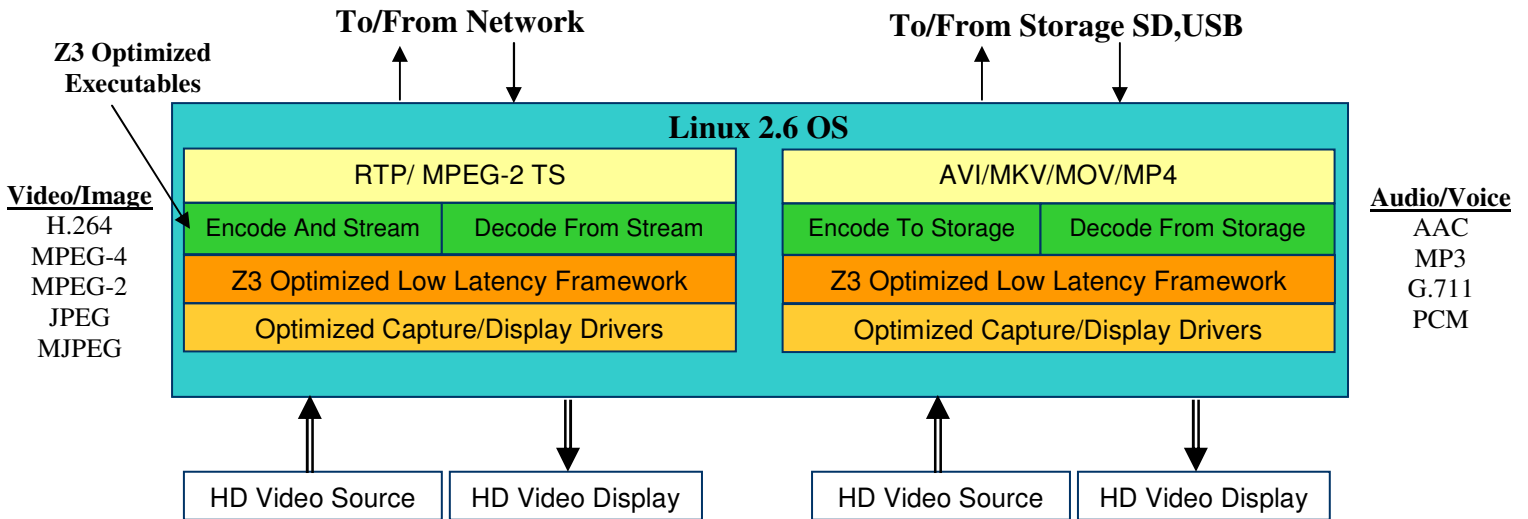
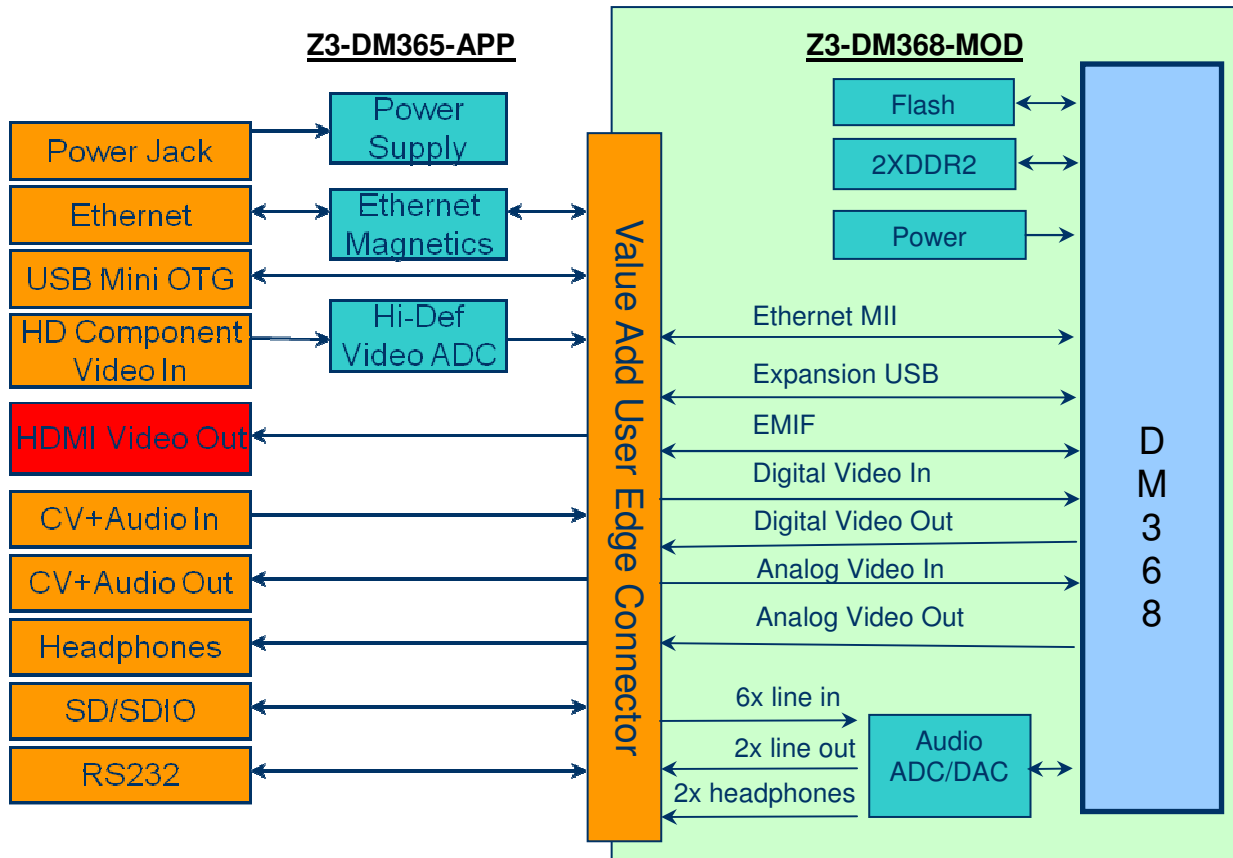
Software:

- Pre-loaded, OEM-ready **Video Application Executable** commands
 - **Streaming RTP encoder**
 - H.264 video, from QCIF to 1080p/i at 30 fps; AAC or PCM audio
 - Fully controllable parameters: resolution, max bit rate, GOP, on-the-fly bit rate control, ... etc.
 - Low latency mode, 65ms max from capture to transmission
 - **Streaming RTP decoder**
 - H.264 video from QCIF to 1080p/i at 30 fps with audio
 - Flexible resizer allows full frame display of smaller resolutions
 - Low latency mode to match with DM368-MOD based transmitter
 - **File-based GStreamer player/decoder & trick play**
 - Up to 1080p/i at 30 fps video and stereo audio
 - H.264BP, MP and HP; MPEG-2 and MJPEG video
 - AAC, MP3, MPEG-1, 2 Layer 1, 2, LPCM, G.711
 - AVI, Quicktime MOV, MP4 and MKV file formats
 - **File-based GStreamer encoder/recorder**
 - H.264 up to 1080p/i at 30 fps recording to file
 - AAC and LPCM audio support
- Source code license available
- QT Embedded graphical software available
- UBL, Linux 2.6, u-boot, root file-system, NAND boot, tool chain, flash programming tool

Contact Z³ Technology for customized product options



HW/SW Block Diagrams



Contact Z³ Technology for customized product options

