

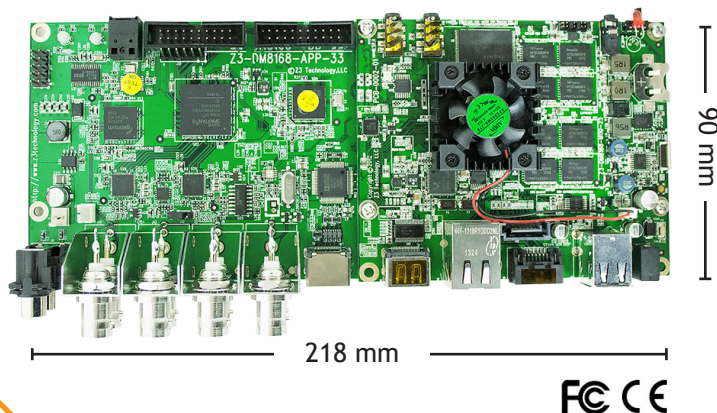


Z³
Technology®

Z3-DM8169-VI-RPS

Rapid Production Starter Kit

The Z3-DM8169-VI-RPS is a starter kit that allows encode and decode of up to two* channels of H.264 video in resolutions up to 1080p60 from multiple sources and to a variety of outputs. Encode can be to stream and decode can be from stream (upgrades for file I/O also available). The Z3-DM8169-VI-RPS consists of a hardware package and software bundle designed to enable rapid development of multimedia applications. The hardware consists of one Z3-DM816x-MOD-2x System on Module card and one Z3-DM8168-APP-3x Application (I/O)Board. The software bundle consists of the necessary components for developing advanced multimedia, graphics, and DSP applications. The application board uses the I/O expansion capability of the Z3-DM816x-MOD-2x to implement additional functions not present in the base module.



BENEFITS

- > Versatile encoding modes such as: low latency, low bitrate and high quality
- > Production-proven, fully integrated hardware and software audio/video system
- > Easily controlled through RS-232 or an HTTP-based GUI
- > Full A/V synchronization even after hours of recording
- > Ready to use, out-of-the-box commands for encoding, decoding and streaming

APPLICATIONS

- Broadcast Video
- Digital Signage and Video Kiosks
- Medical and Industrial Video
- Video Security and Surveillance
- Video Conference Terminals
- Customized Applications*

Hardware

Module	Z3-DM816x-MOD-2x
Application Board	Z3-DM8168-APP-3x
Processor	DSP + ARM Cortex A8
Video Inputs	3G-SDI, HDMI, Component and ASI
Video Outputs	ASI, 3G-SDI and HDMI
Video Codecs	H.264 and MPEG-2
Audio Interfaces	Analog Stereo, Embedded HDMI and Embedded SDI
Audio Codecs	AAC, G.711* and PCM*
Additional Interfaces	GigE, SATA, 2x USB and Serial

Software

Software Development	Texas Instruments® EZSDK, Z ³ Technology software components for EZSDK, Z ³ Applications
Operating System	Linux 2.6 (root file-system, NAND boot, tool chain and flash programming tool), u-boot
Encoding Resolutions	H.264 video from QCIF to 1080p/i at 60 fps Multi-channel encode up to 2x 1080p60*
Output Formats	RTP and MPEG-2 TS
Decoding Resolutions	H.264 video from QCIF to 1080p/i at 60 fps
Input Formats	RTP and MPEG-2 TS
Features	<ul style="list-style-type: none"> • Closed Captioning (EIA-608, EIA-708) • Low latency mode • Flexible resizer to allow full frame display of smaller resolutions • Fully controllable parameters: resolution, max bitrate, GOP and on-the-fly bitrate control • Includes FPGA Firmware • File-based transcoder in H.264 and MPEG-2 available* • RDK framework available for an additional license* • Source code license available*

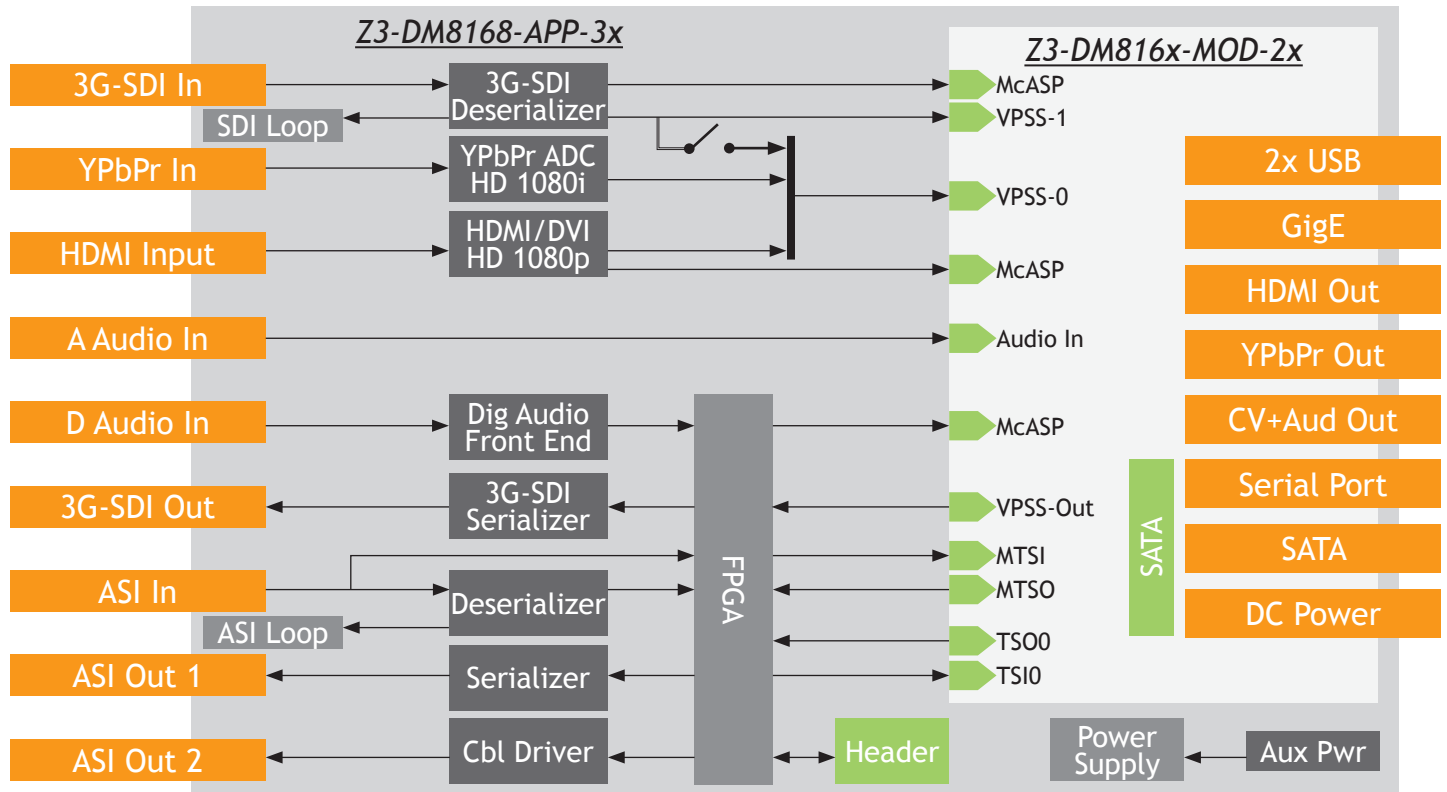
Specifications

Module Size	108 x 88 mm (4.25 x 3.46 in)
Application Board Size	218 x 90 mm (8.58 x 3.54 in)
Power Supply	12V
Power Consumption	14W

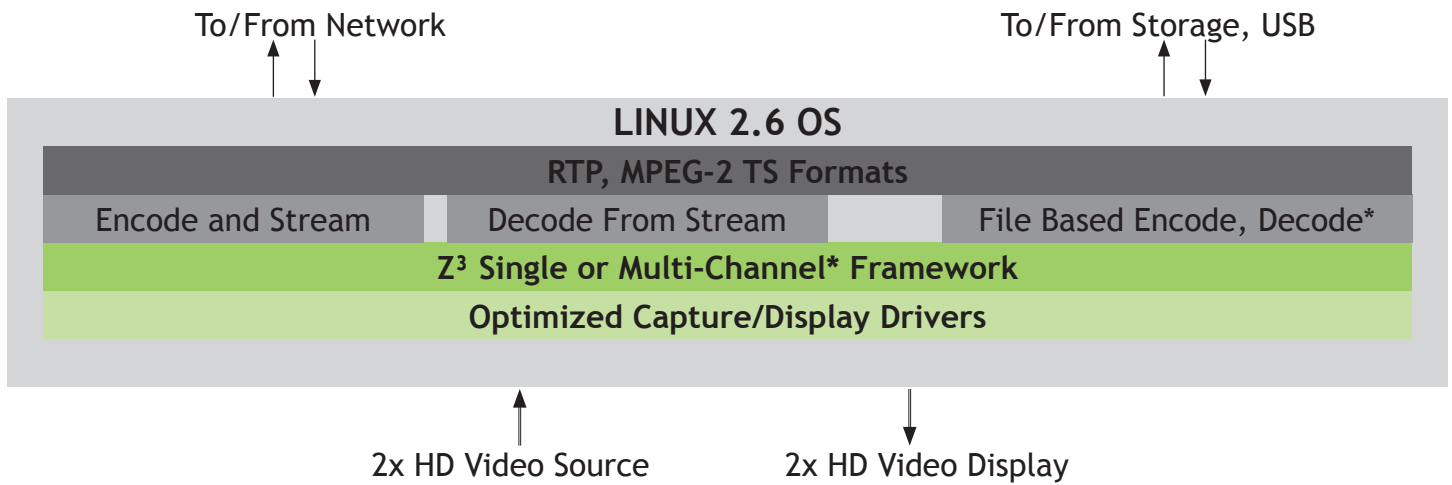


Kane Computing Ltd
1 Verdin Street
Northwich
Cheshire
CW9 7BX
Tel: +44(0)1606 351006
Email: sales@kanecomputing.com
Web: www.kanecomputing.co.uk

HW Block Diagram



SW Block Diagram



sales@kanecomputing.com www.kanecomputing.co.uk +44(0)1606 351006



Z3 Technology is the market leader in providing production-ready embedded multimedia solutions and systems. From our founders to our world-class engineers to our sales and customer service team, we understand your requirements and speak your language. Our experience allows us to provide cost-effective solutions to meet your multimedia product requirements. With the assistance of our robust worldwide distribution and sales networks, we can provide a simple solution for your multimedia needs.