



Rugged Controller

Joystick Controller for Pan-Tilt Units

Manual Control for Ground and Mobile Applications

The PT-DCJ is a rugged joystick/controller for Directed Perception pan-tilt units. The PT-DCJ provides a plug-and-play solution for manual control of Directed Perception PTU-D100, PTU-D300, PTU-D47 and PTU-D48 pan-tilt models. The metal enclosure, non-contact joystick, and sealed design provide an ideal solution for harsh environments including ground, sea, and airborne applications.

Simple Cabling, Power Management

A bulkhead connector on the PT-DCJ allows simple cabling direct to the PTU. An integral LED provides power status. Left and right buttons allow quick control and programming for home saved positions.

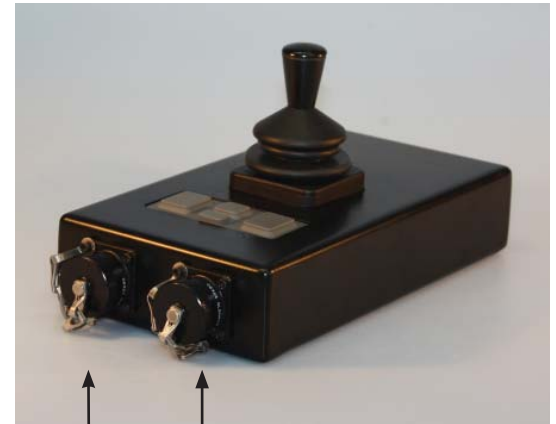
A second bulkhead connector allows for pass-through of signals from the payload, allowing a single cable connection to the pan-tilt unit.

Features include:

- Smooth, precise control of position/speed with non-contact joystick
- Solid metal enclosure can be table or bulkhead mounted
- Solid and vibration-tolerant for vehicle-mounted applications
- Pass-through of PTU power for simplified wiring
- Go to preset and home functions
- Fully sealed for outdoor/marine applications (IP66)

Functions:

- Joystick: controls PTU using velocity commands with magnitude proportional to joystick position. A small deadband accommodates high-vibration environments. Simultaneous control/motion of pan and tilt positions
- Left Button: "GO" - Command unit to User Preset position.
- Right Button: "SET" - Press and hold to set current PTU position as new User Preset position.
- Center Button: "CMD" - Press three times to command pan-tilt to go to absolute 0/0 position.
- LED: System and pan-tilt status.



Power Input and Payload pass-through

- PTU Power
- RS-485



PTU-D47
PTU-D48,
PTU-D100,
PTU-D300



General Features

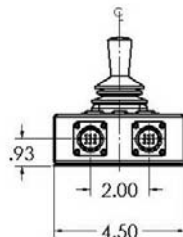
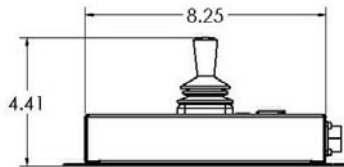
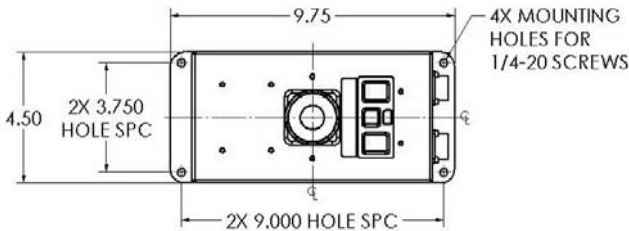
- All-weather (IP66)
- Solid and vibration-tolerant for harsh vehicle applications
- Bulkhead connectors for simple cabling to PTU
- Second bulkhead connector for payload signals
- Precise proportional control of pan-tilt
- Single DC power input

Reliability

Joystick	10 million deflections
Switches	10 million cycles

Power Requirements

Input Voltage	Unregulated 12-30 VDC
Power Consumption	< 3W continuous peak



Connections & Communications

Pan-Tilt Connector	19-pin AMP (MIL-C-26482) PTU-Control (4c) -RS-485 PTU-Power (2c) - 9-30 VDC
Application Connector	19-pin AMP (MIL-C-26482)
Control Protocols	DP (Binary) to PTU

Mechanical

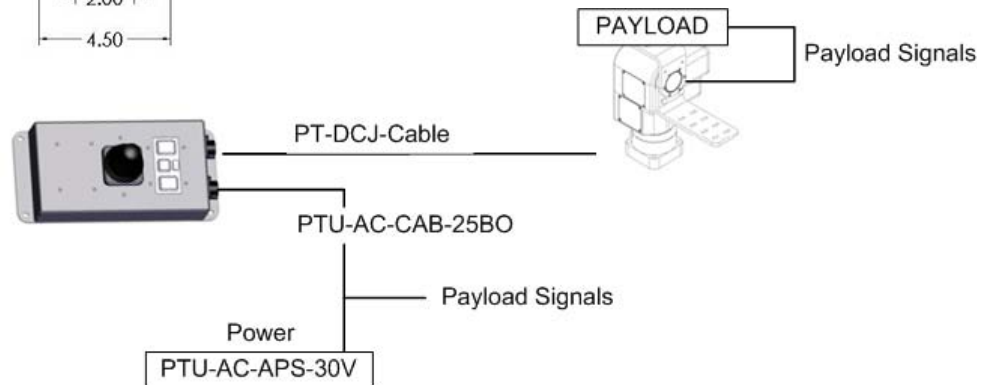
Weight	2.6 lbs (1.2 kg)
Dimensions	9.75" L x 4.5" W x 4.41" H (including joystick)
Mounting	Flanges for bulkhead/permanent mounting
Material	Steel

Packaging & Environmental

Standards	NEMA 4x (IP66)
Operating Temperature	-30°C to 70°C
Non-operating Temperature	-30°C to 70°C
Color/Finish	Steel with powder coat (black)

Options

Call for details



Kane Computing Ltd
 7 Theatre Court, London Road,
 Northwich, Cheshire, CW9 5HB, UK.
 Tel: +44(0)1606 351006
 Fax: +44(0)1606 351007/8
 Email: sales@kanecomputing.com
 Web: www.kanecomputing.co.uk



Directed Perception

Advanced and Innovative products for the control and positioning of sensors and precision instruments

890C Cowan Road Burlingame, California 94010

Office 650-692-3900 | Fax 650-692-3930

sales@DPerception.com | www.DPerception.com