

3.3V Memory Daughter Card for C5505

EVM Status: ACTIVE

TMDSMCD5505

TMDSMCD5505	
Name	3.3V Memory Daughter Card for C5505 EVM
Status	ACTIVE
Price	Please Call

Product Information

Description

TMDSMCD5505 3.3V memory daughter card is designed to use with TMS320VC5505 DSP evaluation module (TMDXEVM5505) and ease your development process.

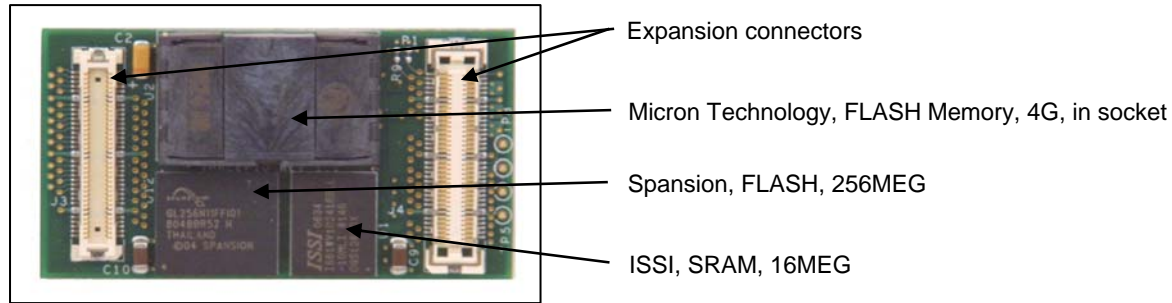
Features

TMDSMCD5505 3.3V memory daughter card includes 2 expansion connectors to attach to the C5505 EVM, a 4GB Micron flash memory in socket, a 256MB Spansion flash memory and a 16MB ISSI SRAM.



Kane Computing Ltd
7 Theatre Court, London Road,
Northwich, Cheshire, CW9 5HB, UK.
Tel: +44(0)1606 351006
Fax: +44(0)1606 351007/8
Email: sales@kanecomputing.com
Web: www.kanecomputing.co.uk

3.3V Memory Card



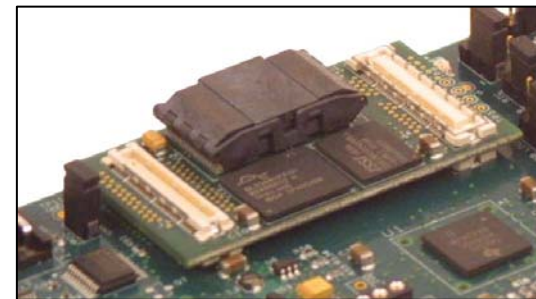
Top View 3.3V Memory Card

Compatibility: C5505 EVM

TI Part #: TMDSMCD5505

TI Price: Please Call

Size: 1.99 x 1.07" (50.55 x 27.18mm)



3.3V Memory Card Mounted on C5505 EVM

TI Third Party Network
Member



Kane Computing Ltd
7 Theatre Court, London Road,
Northwich, Cheshire, CW9 5HB, UK.
Tel: +44(0)1606 351006
Fax: +44(0)1606 351007/8
Email: sales@kanecomputing.com
Web: www.kanecomputing.co.uk